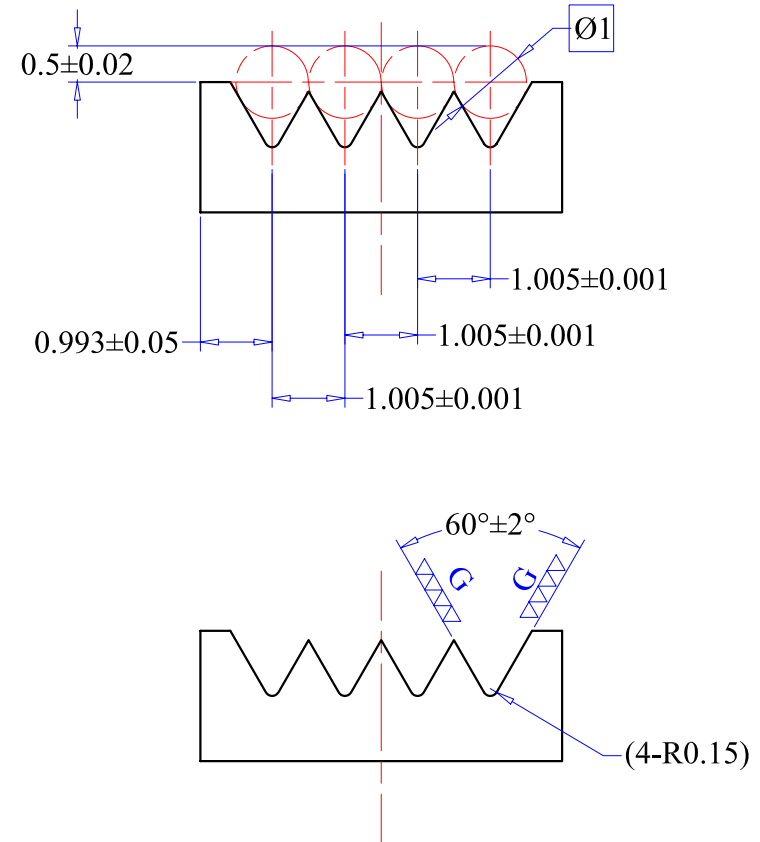
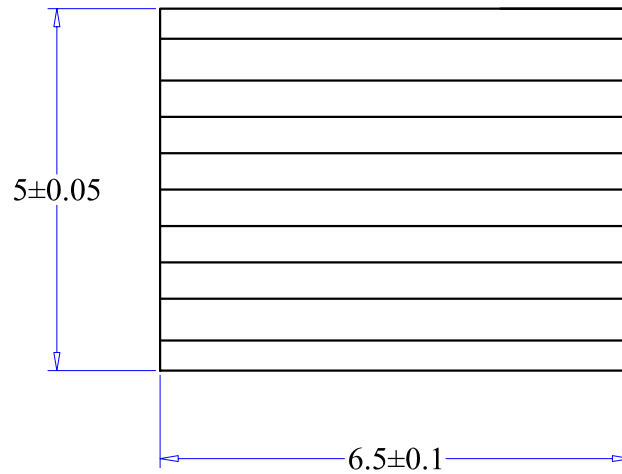
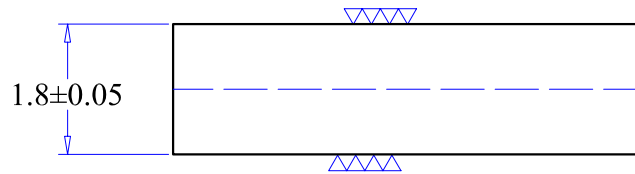


G G


P/N

09.V04.1005D124GA



UNLESS OTHERWISE SPECIFIED
 AND TOLERANCES FOR:
 LINEAR: ANGLES:
 ALL ±0.1 ±1°

RADIUS: SAME AS LINEAR

UNSPECIFIED SURFACE
 ROUGHNESS :

FINISH:

PRODUCT NAME:
 4CH 1005 PITCH
 V-GROOVE

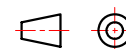
DWG. NO.:
 V04-1005D124-G

REV.:
 A

MATERIAL: Tempax(Borofloat 33)

UNIT: mm
 SCALE: 10:1
 PAGE: 1/1

VIEW:



DESIGNED/DATE:

ENGR./DATE:

CHECKED/DATE:

APPROVED/DATE: